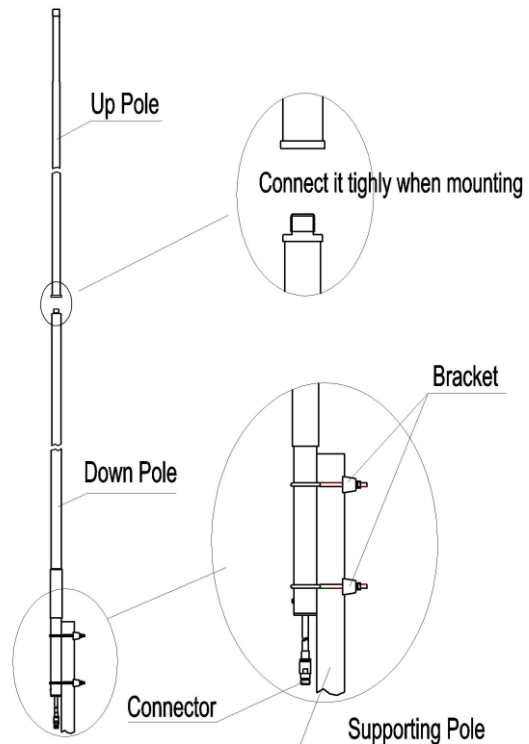
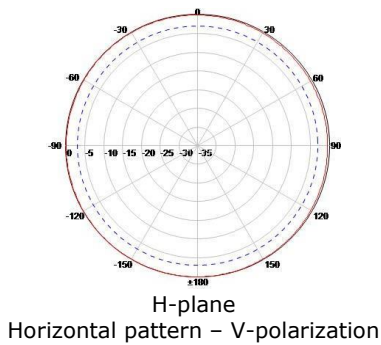
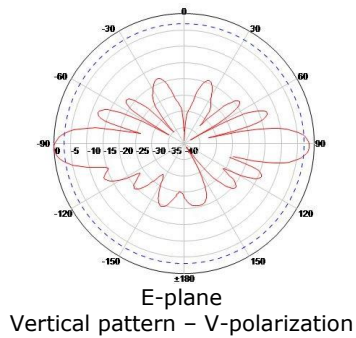




**Specifications**

Model	<b>AC-150-8-100</b>
Frequency Range	134-173 MHz
Bandwidth	8 MHz
Gain	8.5 dBi
Impedance	50 ohms
VSWR	< 1.5:1
Polarization	Vertical
Maximum input power	100 W
H-plane beamwidth	360° (Omni)
E-plane beamwidth	14.5° (half power)
Connector	UHF, optional N Female, 7-16 Female
Dimensions	4.7 m (Depending on Frequency)
Weight	5.16 kg (Depending on Frequency)
Rated Wind Velocity	60 m/s
Radome	Fiberglass
Pole Diameter	40 to 50 mm

Mounting Mounting hardware supplied



**Order Information:**

AC-150-8-100 Antenna 134-173 MHz, 8.5 dBi, 100W with UHF, N Female, 7-16 DIN female connector