

# Коаксиальные разъемы N типа Telegartner

www.tt-telecom.ru

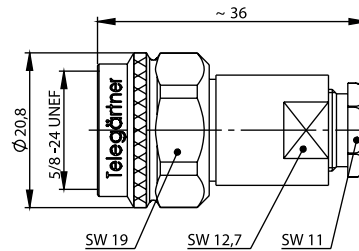


## Каталог

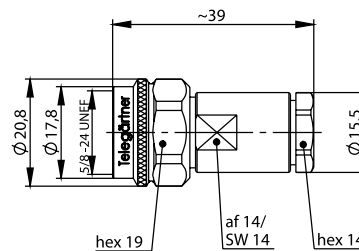
4.1	N Straight Plug.....	113	4.1	N-Вилки прямые .....	113
4.2	N Straight Plug Crimp.....	118	4.2	N-Вилки прямые обжимные .....	118
4.3	N Angle Plug.....	119	4.3	N-Вилки угловые .....	119
4.4	N Angle Plug Crimp.....	122	4.4	N-Вилки угловые обжимные .....	122
4.5	N Panel Plug Solder pin.....	122	4.5	N-Вилки фланцевые под пайку .....	122
4.6	N Straight Jack.....	123	4.6	N-Розетки прямые .....	123
4.7	N Straight Jack Crimp.....	126	4.7	N-Розетки прямые обжимные .....	126
4.8	N Bulkhead Jack.....	127	4.8	N-Розетки проходные приборно-кабельные .....	127
4.9	N Bulkhead Jack Crimp.....	129	4.9	N-Розетки проходные приборно-кабельные обжимные ...	129
4.10	N Bulkhead Jack Solder pin....	130	4.10	N-Розетки проходные панельные под пайку .....	130
4.11	N Panel Jack.....	130	4.11	N-Розетки фланцевые приборно-кабельные .....	130
4.12	N Panel Jack Crimp.....	132	4.12	N-Розетки фланцевые обжимные .....	132
4.13	N Panel Jack Solder pin.....	133	4.13	N-Розетки фланцевые под пайку .....	133
4.14	N Angle Panel Jack Solder pin	135	4.14	N-Розетки фланцевые угловые под пайку .....	135
4.15	N Adaptor / Port Saver.....	135	4.15	N-Адаптеры кабельные .....	135
4.16	N Panel Adaptor.....	137	4.16	N-Адаптеры панельные .....	137
4.17	N Angle Adaptor.....	137	4.17	N-Адаптеры угловые .....	137
4.18	N T Adaptor.....	138	4.18	N-T-Адаптеры тройник .....	138
4.19	N Termination Plug.....	139	4.19	N-Нагрузки согласованные .....	139
4.20	N Attenuators.....	141	4.20	N-Аттенюаторы .....	141
4.21	N Dust Cap.....	142	4.21	N-Защитные крышки .....	142
4.22	N Hood.....	143	4.22	N-Защитные колпачки .....	143
4.23	N Torque Wrench.....	143	4.23	N Динамометрический ключ .....	143

**N Straight Plug  
N-Kabelstecker**

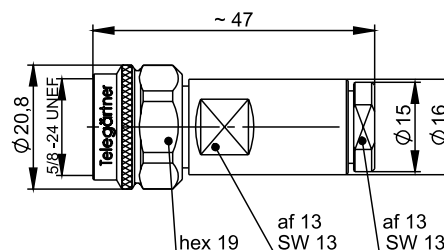
4.1



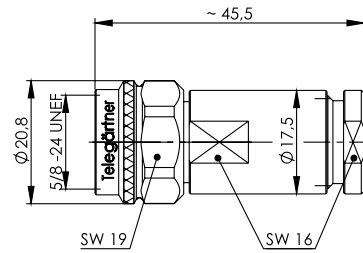
Part No. Old Part No.	Cable group; cable Kabelgruppe; Kabel	Remarks Anmerkungen	Assembly Montage
100023965 J01020C0016	G3 (RG-178B/U)	solder/clamp; pressure sleeve IP67 löt/klemm; Druckverschraubung IP67	B02
100023964 J01020C0015	G7 (RG-316/U)	solder/clamp; pressure sleeve IP67 löt/klemm; Druckverschraubung IP67	B02
100023976 J01020C1276	G1 (RG-58C/U); G5 (RG-223/U); 1.0/2.95 AF; RG-141A/U; RG-142B/U	solder/MIL-clamp; pressure sleeve IP67 löt/MIL-klemm; Druckverschraubung IP67	B03
100023967 J01020C0062	G9 (UT-250)	solder/clamp; pressure sleeve IP67 löt/klemm; Druckverschraubung IP67	B49



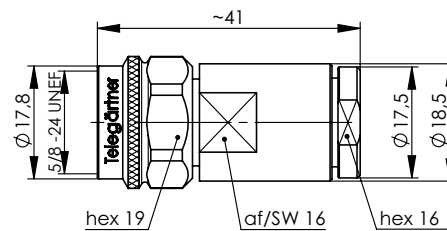
Part No. Old Part No.	Cable group; cable Kabelgruppe; Kabel	Remarks Anmerkungen	Return Loss Rückflussdämpfung	Assembly Montage
100023934 J01020A0167	G30 (1.5/3.8)	spring/clamp; field mount type; IP67 Only for cables with solid inner conductor steck/klemm; Feldmontage-Type; IP67 Nur für Kabel mit massivem Innenleiter	typ.: 1 GHz: -35 dB; 2 GHz: -34 dB; 6 GHz: -27 dB	B98



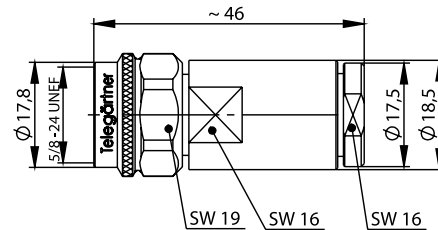
Part No. Old Part No.	Cable group; cable Kabelgruppe; Kabel	Remarks Anmerkungen	Return Loss Rückflussdämpfung	Assembly Montage
100023935 J01020A0168	G56 (1.8/4.9)	spring/clamp Only for cables with solid inner conductor steck/klemm Nur für Kabel mit massivem Innenleiter	typ.: 1 GHz: -32 dB; 2 GHz: -30 dB; 6 GHz: -28 dB	B99



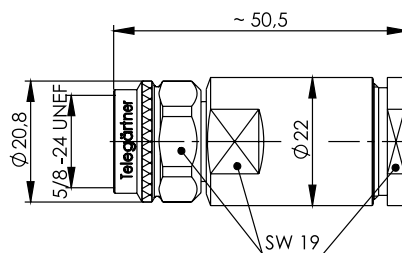
Part No. Old Part No.	Cable group; cable Kabelgruppe; Kabel	Remarks Anmerkungen	Return Loss Rückflussdämpfung	Assembly Montage
100023990 J0102011070	RG-213/U; RG-214/U; 9880 Belden	solder/clamp; pressure sleeve IP67 löt/klemm; Druckverschraubung IP67	typ.: 1 GHz: -40 dB; 2 GHz: -35 dB; 4 GHz: -28 dB	B01



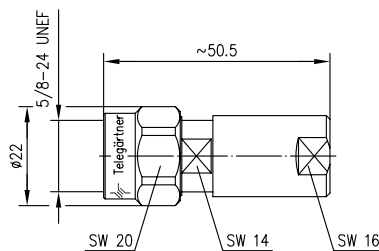
Part No. Old Part No.	Cable group; cable Kabelgruppe; Kabel	Remarks Anmerkungen	Return Loss Rückflussdämpfung	Assembly Montage
100025723 J01020A0183	G58 (2.9/7.25-10.3)	solder/clamp; pressure sleeve IP67 löt/klemm, Druckverschraubung, IP67	typ.: 1 GHz: -32 dB; 2 GHz: -30 dB; 6 GHz: -25 dB	B82
100023923 J01020A0149	G37 (2.7/7.25); G42 (2.7/7.1); H500; Aircom Plus	solder/clamp; pressure sleeve IP67 löt/klemm; Druckverschraubung IP67	typ.: 1 GHz: -32 dB; 2 GHz: -30 dB; 6 GHz: -28 dB	B82



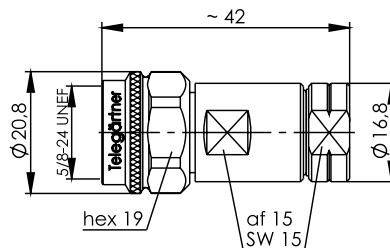
Part No. Old Part No.	Cable group; cable Kabelgruppe; Kabel	Remarks Anmerkungen	Return Loss Rückflussdämpfung	Assembly Montage
100023926 J01020A0156	G37 (2.7/7.25)	spring/clamp; field mount type; IP67 Only for cables with solid inner conductor steck/klemm; Feldmontage-Type; IP67 Nur für Kabel mit massivem Innenleiter	typ.: 1 GHz: -32 dB; 2 GHz: -30 dB; 6 GHz: -28 dB	B87



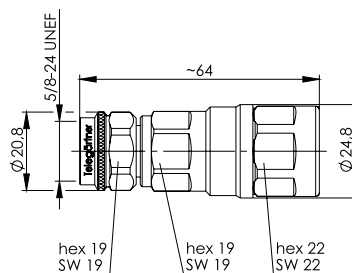
Part No. Old Part No.	Cable group; cable Kabelgruppe; Kabel	Remarks Anmerkungen	Return Loss Rückflussdämpfung	Assembly Montage
100023977 J01020D0029	G47 (4.5/11.5)	solder/clamp; pressure sleeve IP67 löt/klemm; Druckverschraubung IP67	typ.: 1 GHz: -32 dB; 3 GHz: -29 dB; 6 GHz: -21 dB	B74



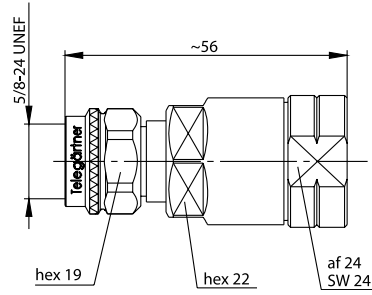
Part No. Old Part No.	Cable group; cable Kabelgruppe; Kabel	Remarks Anmerkungen	Assembly Montage
100023892 J01020A0028	G36 (1/4")	spring/clamp, IP67 steck/klemm, IP67	B25



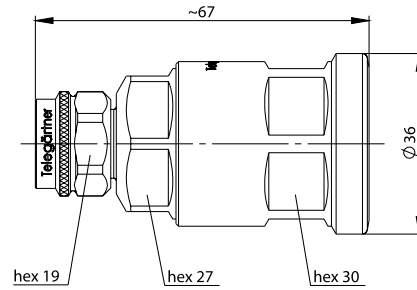
Part No. Old Part No.	Cable group; cable Kabelgruppe; Kabel	Remarks Anmerkungen	Assembly Montage
100023924 J01020A0150	G20 (1/4" Flex)	SIMFix IP67	B85



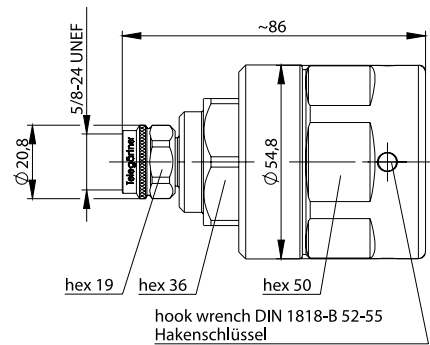
Part No. Old Part No.	Cable group; cable Kabelgruppe; Kabel	Remarks Anmerkungen	Assembly Montage
100023973 J01020C0141	G21 (1/2")	SIMFix Pro IP68	B90



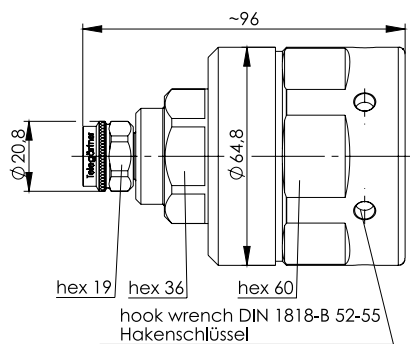
Part No. Old Part No.	Cable group; cable Kabelgruppe; Kabel	Remarks Anmerkungen	Assembly Montage
100023969 J01020C0105	G23 (1/2" FLEX)	SIMFix Pro IP68	B89
100023955 J01020B0098	G23 (1/2" FLEX)	SIMFix ST IP67	B65



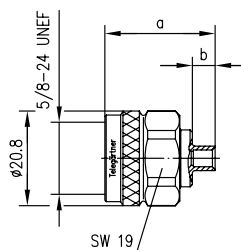
Part No. Old Part No.	Cable group; cable Kabelgruppe; Kabel	Remarks Anmerkungen	Assembly Montage
100023925 J01020A0153	G24 (7/8"), G52 (7/8" Alu)	SIMFix CA-Pro IP68	B92



Part No. Old Part No.	Cable group; cable Kabelgruppe; Kabel	Remarks Anmerkungen	Assembly Montage
100023988 J01020G0143	G33 (1 1/4")	SIMFix Pro IP68	B80

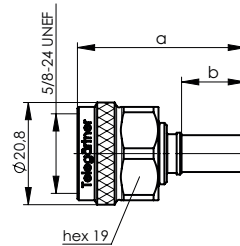
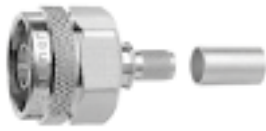


Part No. Old Part No.	Cable group; cable Kabelgruppe; Kabel	Remarks Anmerkungen	Assembly Montage
100023989 J01020G0144	G26 (1 5/8")	SIMFix Pro IP68	B81

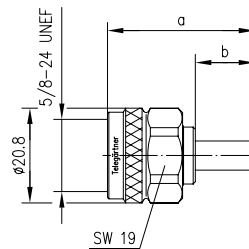


Part No. Old Part No.	Cable group; cable Kabelgruppe; Kabel	Return Loss Rückflussdämpfung	Dimensions Abmessungen	Assembly Montage
100023907 J01020A0109	G10 (UT-141)	typ.: 1 GHz: -39 dB; 2 GHz: -35 dB; 6 GHz: -30 dB; 11 GHz: -25 dB	a=24.3, b=5	B71
100023910 J01020A0112	G9 (UT-250)	typ.: 1 GHz: -40 dB; 2 GHz: -38 dB; 3 GHz: -35 dB; 6 GHz: -28 dB	a=26.4, b=4.4	B72

## N Straight Plug Crimp N-Kabelstecker Crimp



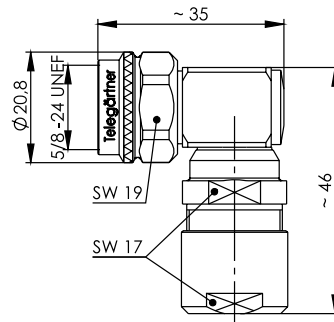
Part No. Old Part No.	Cable group; cable Kabelgruppe; Kabel	Remarks Anmerkungen	Dimensions Abmessungen	Assembly Montage	Crimp die Crimpeinsatz
100023938 J01020A0171	G5 (RG-223/U)	crimp/crimp	a=34.7; b=13.5	B3805	N01003A0005
100023915 J01020A0119	G30 (1.5/3.8); G54 (1.5/3.8 FLEX)	crimp/crimp	a=34.2, b=13	B3331	N01003A0056
100025724 J01020A0184	G58 (2.9/7.25-10.3)	crimp/crimp	a=36,5, b=14,5	B3426	N01003A0030
100023916 J01020A0127	G37 (2.7/7.25)	crimp/crimp	a=36.5, b=14.5	B3426	N01003A0030
100023919 J01020A0133	G42 (2.7/7.1); AA-5886	crimp/crimp	a=36.6, b=14.5	B3426	N01003A0030
100023905 J01020A0107	RG-213/U	crimp/crimp	a=36.5, b=14.5	B3412	N01003D1274
100023908 J01020A0110	RG-214/U	crimp/crimp	a=36.5, b=14.5	B3412	N01003D1274
100023918 J01020A0132	RG-393/U; K 07252 D-01	crimp/crimp	a=36.5, b=14.5	B3426	N01003A0030



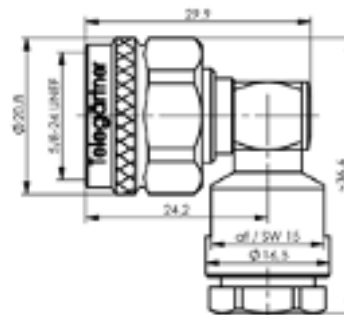
Part No. Old Part No.	Cable group; cable Kabelgruppe; Kabel	Remarks Anmerkungen	Dimensions Abmessungen	Assembly Montage	Crimp die Crimpeinsatz
100023903 J01020A0103	G7 (RG- 316/U)	crimp/crimp	a=27.5, b=9.5	B3116	N01003A0009
100023904 J01020A0104	G8 (RD-316)	crimp/crimp	a=27.5, b=9.5	B3120	N01003A0014
100023906 J01020A0108	G1 (RG-58C/U)	crimp/crimp	a=32.5, b=13	B3305	N01003A0005
100023911 J01020A0113	G5 (RG-223/U); RG-142B/U	crimp/crimp	a=32.5, b=13.5	B3305	N01003A0005
100023900 J01020A0052	G44 (1.1/2.95)	crimp/crimp	a=32.8, b=13	B3305	N01003A0009

**N Angle Plug**  
**N-Kabelwinkelstecker**

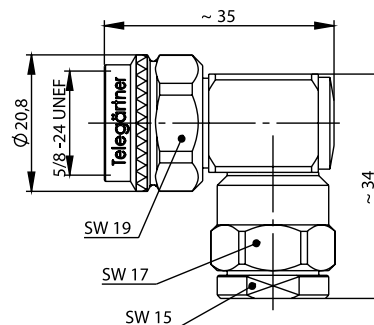
4.3



Part No. Old Part No.	Cable group; cable Kabelgruppe; Kabel	Remarks Anmerkungen	Assembly Montage
100023971 J01020C0122	G1 (RG-58C/U); G5 (RG-223/U); RG 141 A/U; RG-142 B/U; 1.0/2.95 AF	solder/MIL-clamp; pressure sleeve IP67 löt/MIL-klemm; Druckverschraubung IP67	D01

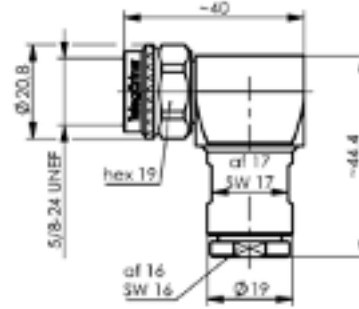


Part No. Old Part No.	Cable group; cable Kabelgruppe; Kabel	Remarks Anmerkungen	Assembly Montage
100023946 J01020A0179	G30 (1.5/3.8)	solder/clamp; pressure sleeve IP67 löt/klemm; Druckverschraubung IP67	A22

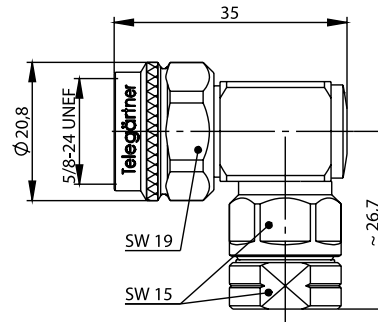


Part No. Old Part No.	Cable group; cable Kabelgruppe; Kabel	Remarks Anmerkungen	Assembly Montage
100023975 J01020C0161	G37 (2.7/7.25); G42 (2.6/7.1); G55 (2.7/7.25 Flex); AIRCOM PLUS; RG-213/U; RG214/U	solder/clamp; pressure sleeve IP67 löt/klemm; Druckverschraubung IP67	D11

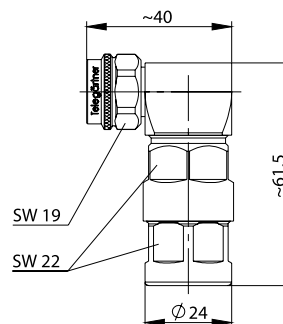




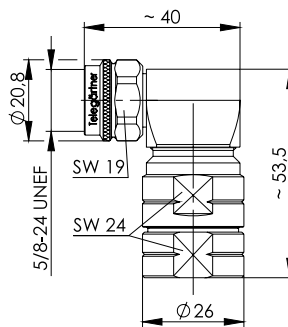
Part No. Old Part No.	Cable group; cable Kabelgruppe; Kabel	Remarks Anmerkungen	Assembly Montage
100023948 J01020A0181	G37 (2.7/7.25), G42 (2.7/7.1), Aircom Premium	spring/clamp; field mount type; IP67, barrier sealed steck/klemm; Feldmontage-Type; IP67, längsdicht Nur für Kabel mit massivem Innenleiter	B87



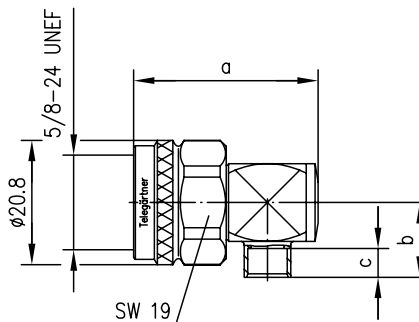
Part No. Old Part No.	Cable group; cable Kabelgruppe; Kabel	Remarks Anmerkungen	Assembly Montage
100023972 J01020C0126	G20 (1/4")	solder/clamp; pressure sleeve IP67 löt/klemm; Druckverschraubung IP67	B95



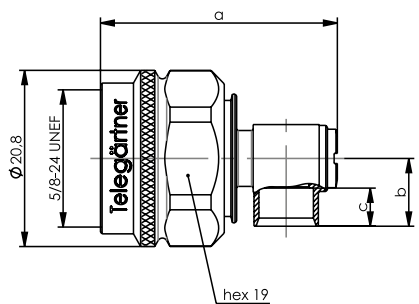
Part No. Old Part No.	Cable group; cable Kabelgruppe; Kabel	Remarks Anmerkungen	Assembly Montage
100023951 J01020B0044	G21 (1/2")	SIMFix Pro IP68	B90



Part No. Old Part No.	Cable group; cable Kabelgruppe; Kabel	Remarks Anmerkungen	Assembly Montage
100023922 J01020A0147	G23 (1/2" FLEX)	SIMFix Pro IP68	B89



Part No. Old Part No.	Cable group; cable Kabelgruppe; Kabel	Dimensions Abmessungen	Assembly Montage
100023979 J01020D0041	G10 (UT-141)	a=27.5, b=10, c=4	B47

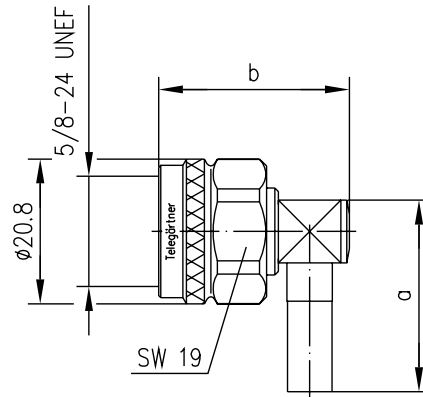


Part No. Old Part No.	Cable group; cable Kabelgruppe; Kabel	Return Loss Rückflussdämpfung	Dimensions Abmessungen	Assembly Montage
100023947 J01020A0180	G9 (UT-250); G20 (1/4" Flex)	typ.: 1 GHz: -32 dB; 4 GHz: -31 dB; 6 GHz: -25 dB	a= 28.7; b=8; c=4.5	E10

## 4.4

### N Angle Plug Crimp

#### N-Kabelwinkelstecker Crimp

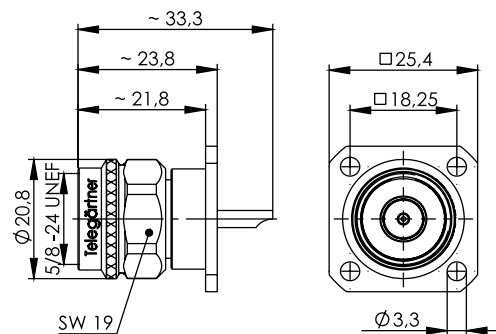
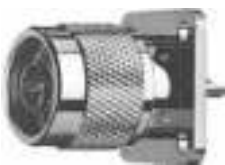


Part No. Old Part No.	Cable group; cable Kabelgruppe; Kabel	Remarks Anmerkungen	Dimensions Abmessungen	Assembly Montage	Crimp die Crimpeinsatz
100023897 J01020A0040	G7 (RG-316/U)	solder/crimp löt/crimp	a=24, b=27.5	B1803	N01003A0009
100023896 J01020A0039	G8 (RD-316)	solder/crimp löt/crimp	a=24, b=27.5	B1814	N01003A0014
100023894 J01020A0035	G1 (RG-58C/U); RG-141A/U	solder/crimp löt/crimp	a=27.5, b=27.5	B1805	N01003A0005
100023895 J01020A0036	G5 (RG-223/U); RG-142B/U	solder/crimp löt/crimp	a=28, b=27.5	B1805	N01003A0005
100023902 J01020A0097	G30 (1.5/3.8); G54 (1.5/3.8 FLEX)	solder/crimp löt/crimp	a=31, b=31	B1831	N01003A0056
100023899 J01020A0046	G42 (2.7/7.1); RG-213/U; AA5886	solder/crimp löt/crimp	a=31, b=31	B1812	N01003D1274
100023898 J01020A0045	RG-214/U; RG-393/U	solder/crimp löt/crimp	a=29.5, b=31	B1812	N01003D1274
100023954 J01020B0081	G37 (2.7/7.25)	solder/crimp löt/crimp	a=31, b=31	B1812	N01003A0030

## 4.5

### N Panel Plug Solder pin

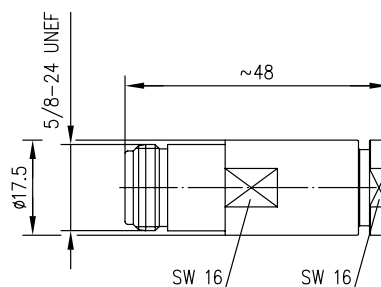
#### N-Einbaustecker mit Flansch Lötanschluss



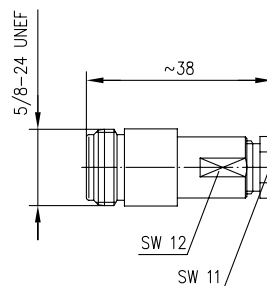
Part No.	Mount. dim.
Old Part No.	Einbaumaß
100023978 J01020D0032	Z008

**N Straight Jack  
N-Kabelbuchse**

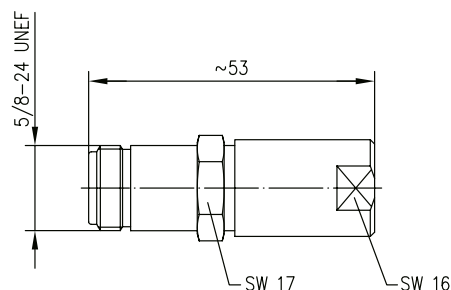
4.6



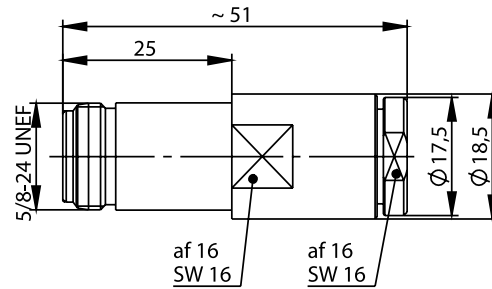
Part No. Old Part No.	Cable group; cable Kabelgruppe; Kabel	Remarks Anmerkungen	Assembly Montage	MIL-Std. MIL-Std.
100024101 J01021H1076	RG-213/U; RG-214/U; 9880 Belden	solder/clamp; pressure sleeve IP67 löt/klemm; Druckverschraubung IP67	B04	UG-23/U



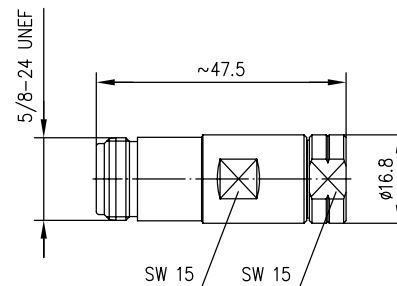
Part No. Old Part No.	Cable group; cable Kabelgruppe; Kabel	Remarks Anmerkungen	Assembly Montage
100024088 J01021H0080	G3 (RG-178B/U)	solder/clamp; pressure sleeve IP67 löt/klemm; Druckverschraubung IP67	B05
100024080 J01021H0019	G7 (RG-316/U)	solder/clamp; pressure sleeve IP67 löt/klemm; Druckverschraubung IP67	B05
100024081 J01021H0021	G1 (RG-58C/U); G5 (RG-223/U); 1.0/2.95 AF	solder/MIL-clamp; pressure sleeve IP67 löt/MIL-klemm; Druckverschraubung IP67	B06



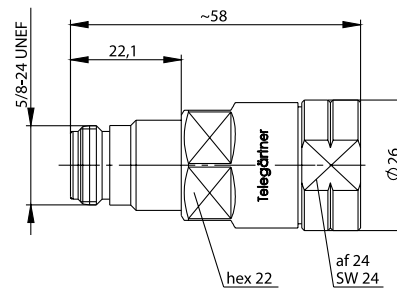
Part No. Old Part No.	Cable group; cable Kabelgruppe; Kabel	Remarks Anmerkungen	Assembly Montage
100023995 J01021A0043	G36 (1/4")	spring/clamp; field mount type; IP67 Only for cables with solid inner conductor steck/klemm; Feldmontage-Type; IP67 Nur für Kabel mit massivem Innenleiter	B25



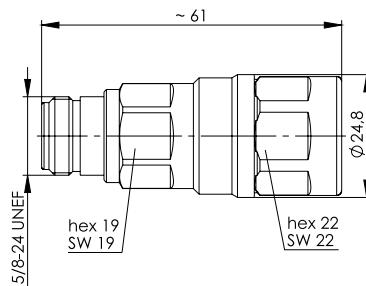
Part No. Old Part No.	Cable group; cable Kabelgruppe; Kabel	Remarks Anmerkungen	Assembly Montage
100024038 J01021A0207	G37 (2.7/7.25); G42 (2.6/7.1)	spring/clamp; field mount type; IP67 Only for cables with solid inner conductor steck/klemm; Feldmontage-Type; IP67 Nur für Kabel mit massivem Innenleiter	B87



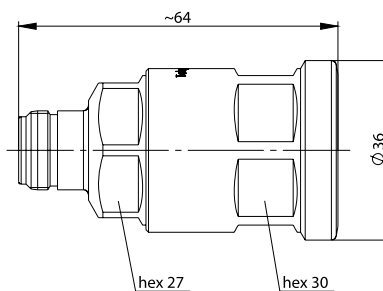
Part No. Old Part No.	Cable group; cable Kabelgruppe; Kabel	Remarks Anmerkungen	Assembly Montage
100024024 J01021A0188	G20 (1/4" Flex)	SIMFix IP67	B85



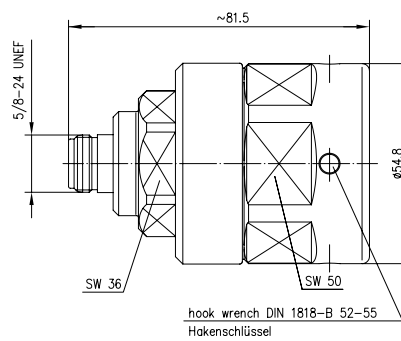
Part No. Old Part No.	Cable group; cable Kabelgruppe; Kabel	Remarks Anmerkungen	Assembly Montage
100024070 J01021C0163	G23 (1/2" FLEX)	SIMFix Pro IP68	B89
100024057 J01021B0156	G23 (1/2" FLEX)	SIMFix ST IP67	B65



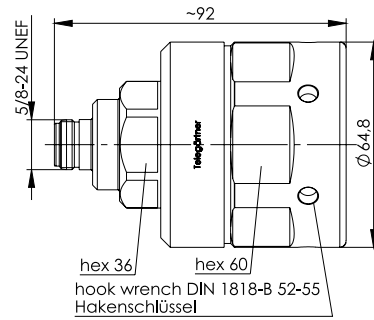
Part No. Old Part No.	Cable group; cable Kabelgruppe; Kabel	Remarks Anmerkungen	Assembly Montage
100024072 J01021C0174	G21 (1/2")	SIMFix Pro IP68	B90



Part No. Old Part No.	Cable group; cable Kabelgruppe; Kabel	Remarks Anmerkungen	Assembly Montage
100024032 J01021A0201	G24 (7/8"); G52 (7/8" Alu)	SIMFix CA-Pro IP68	B92

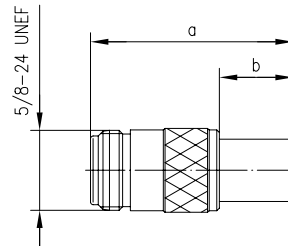


Part No. Old Part No.	Cable group; cable Kabelgruppe; Kabel	Remarks Anmerkungen	Assembly Montage
100024077 J01021G0178	G33 (1 1/4")	SIMFix Pro IP68	B80

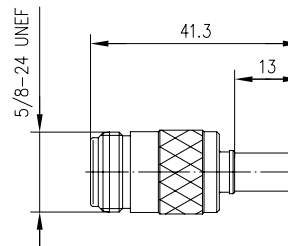


Part No. Old Part No.	Cable group; cable Kabelgruppe; Kabel	Remarks Anmerkungen	Assembly Montage
100024078 J01021G0179	G26 (1 5/8")	SIMFix Pro IP68	B81

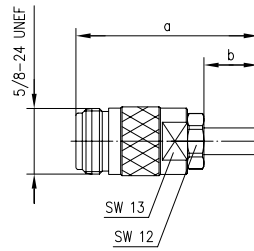
## 4.7

N Straight Jack Crimp  
N-Kabelbuchse Crimp

Part No. Old Part No.	Cable group; cable Kabelgruppe; Kabel	Remarks Anmerkungen	Dimensions Abmessungen	Assembly Montage	Crimp die Crimpeinsatz
100023999 J01021A0063	G1 (RG-58C/U)	crimp/crimp	a=38.5, b=13	B2905	N01003A0005
100024006 J01021A0146	G5 (RG-223/U)	crimp/crimp	a=39, b=13.5	B2905	N01003A0005
100023998 J01021A0061	RG-213/U	crimp/crimp	a=40, b=14.5	B2912	N01003D1274
100024005 J01021A0145	RG-214/U	crimp/crimp	a=38.5, b=13	B2912	N01003D1274
100024015 J01021A0155	G37 (2.7/7.25)	crimp/crimp	a=45, b=14.5	B3026	N01001A0030
100024016 J01021A0160	G42 (2.7/7.1); AA-5886	solder/crimp löt/crimp	a=45, b=14.5	B3212	N01003D1274



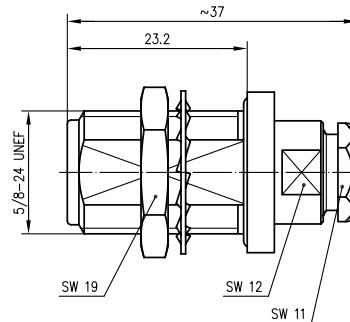
Part No. Old Part No.	Cable group; cable Kabelgruppe; Kabel	Remarks Anmerkungen	Assembly Montage	Crimp die Crimpeinsatz
100024054 J01021B0117	G30 (1.5/3.8); G54 (1.5/3.8 FLEX)	crimp/crimp	B3631	N01003A0056



Part No. Old Part No.	Cable group; cable Kabelgruppe; Kabel	Remarks Anmerkungen	Dimensions Abmessungen	Assembly Montage	Crimp die Crimpeinsatz
100024095 J01021H0096	G1 (RG-58C/U); RG-141A/U	solder/crimp löt/crimp	a=43.5, b=13	B0905	N01003A0005
100024096 J01021H0097	G5 (RG-223/U); RG-142 B/U	solder/crimp löt/crimp	a=44, b=13.5	B0905	N01003A0005
100024097 J01021H0098	RG-213/U	solder/crimp löt/crimp	a=45, b=14.5	B0912	N01003D1274
100024098 J01021H0099	RG-214/U; RG-393/U	solder/crimp löt/crimp	a=43.5, b=13	B0912	N01003D1274

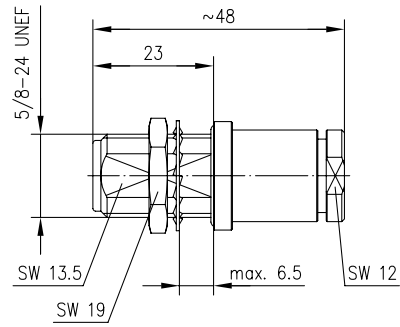
**N Bulkhead Jack  
N-Kabeleinbaubuchse**

4.8

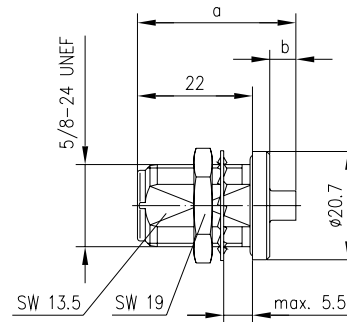


Part No. Old Part No.	Cable group; cable Kabelgruppe; Kabel	Remarks Anmerkungen	Mount. dim. Einbaumaß	Assembly Montage
100024089 J01021H0081	G3 (RG-178B/U)	solder/clamp; pressure sleeve IP67 löt/klemm; Druckverschraubung IP67	Z010	B05
100024099 J01021H1003	G7 (RG-316/U); LMR-100A	solder/clamp; pressure sleeve IP67 löt/klemm; Druckverschraubung IP67	Z010	B05
100024079 J01021H0004	G8 (RD-316)	solder/clamp; pressure sleeve IP67 löt/klemm; Druckverschraubung IP67	Z010	B05
100024106 J01021H1171	G1 (RG-58C/U); G5 (RG-223/U); RG-142 B/U; RG-141 A/U; 1.0/2.95 AF	solder/MIL-clamp; pressure sleeve IP67 löt/MIL-klemm; Druckverschraubung IP67	Z010	B06
100024091 J01021H0087	G11 (UT-85)	solder/MIL-clamp; pressure sleeve IP67 löt/MIL-klemm; Druckverschraubung IP67	Z010	B15





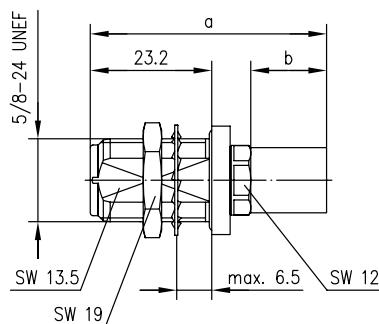
Part No.	Cable group; cable Kabelgruppe; Kabel	Remarks Anmerkungen	Mount. dim. Einbaumaß	Assembly Montage
100024102 J01021H1078	RG-213/U; RG-214/U; 9880 Belden	solder/clamp; pressure sleeve IP67 löt/klemm; Druckverschraubung IP67	Z010	B04



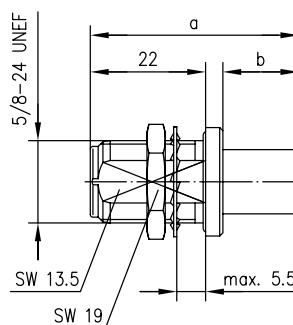
Part No.	Cable group; cable Kabelgruppe; Kabel	Remarks Anmerkungen	Dimensions Abmessungen	Mount. dim. Einbaumaß	Assembly Montage
100024011 J01021A0151	G10 (UT-141)	IP67	a=30.3; b=5	Z010	B64
100024019 J01021A0171	G9 (UT-250)	IP67	a=29.7; b=4.4	Z010	B72

**N Bulkhead Jack Crimp**  
**N-Kabeleinbaubuchse Crimp**

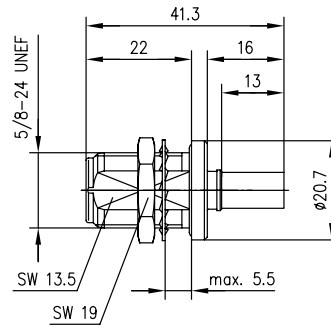
4.9



Part No. Old Part No.	Cable group; cable Kabelgruppe; Kabel	Remarks Anmerkungen	Dimensions Abmessungen	Mount. dim. Einbaumaß	Assembly Montage	Crimp die Crimpeinsatz
100024092 J01021H0088	G1 (RG-58C/U); RG-141 A/U	solder/crimp löt/crimp	a=43.5, b=13	Z010	B0905	N01003A0005
100024093 J01021H0089	G5 (RG-223/U); RG-142 B/U	solder/crimp löt/crimp	a=44, b=13.5	Z010	B0905	N01003A0005
100024094 J01021H0095	RG-213/U	solder/crimp löt/crimp	a=45, b=14.5	Z010	B0912	N01003D1274
100024085 J01021H0035	RG-214/U; RG-393/U	solder/crimp löt/crimp	a=45, b=14.5	Z010	B0912	N01003D1274



Part No. Old Part No.	Cable group; cable Kabelgruppe; Kabel	Remarks Anmerkungen	Dimensions Abmessungen	Mount. dim. Einbaumaß	Assembly Montage	Crimp die Crimpeinsatz
100024034 J01021A0203	G7 (RG-316/U)	crimp/crimp	a=34.8; b=9.5	Z010	B3116	N01003A0009
100024043 J01021A0212	G8 (RD-316)	crimp/crimp	a=34.8, b=9.5	Z010	B3120	N01003A0014
100024007 J01021A0147	G1 (RG-58C/U)	crimp/crimp	a=38.5, b=13	Z010	B2905	N01003A0005
100024008 J01021A0148	G5 (RG-223/U)	crimp/crimp	a=39, b=13.5	Z010	B2905	N01003A0005
100024030 J01021A0197	G37 (2.7/7.25)	crimp/crimp	a=42.7, b=14.5	Z010	B3026	N01003A0030
100023997 J01021A0060	RG-213/U	crimp/crimp	a=40, b=14.5	Z010	B2912	N01003D1274
100024000 J01021A0092	RG-214/U	crimp/crimp	a=38.5, b=13	Z010	B2912	N01003D1274

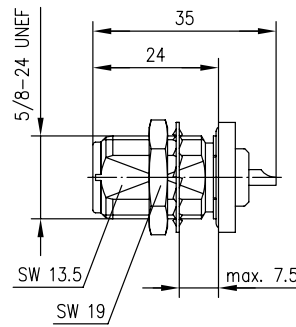


Part No. Old Part No.	Cable group; cable Kabelgruppe; Kabel	Remarks Anmerkungen	Mount. dim. Einbaumaß	Assembly Montage	Crimp die Crimpeinsatz
100024059 J01021B0180	G30 (1.5/3.8); G54 (1.5/3.8 FLEX)	panel sealed einbaudicht	Z010	B3631	N01003A0056

## 4.10

### N Bulkhead Jack Solder pin

#### N-Einbaubuchse Lötanschluss

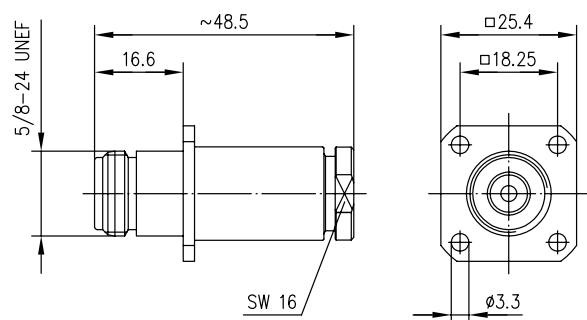


Part No. Old Part No.	Remarks Anmerkungen	Mount. dim. Einbaumaß
100024049 J01021A1084	panel and barrier sealed IP67 Längs- und einbaudicht IP67	Z010

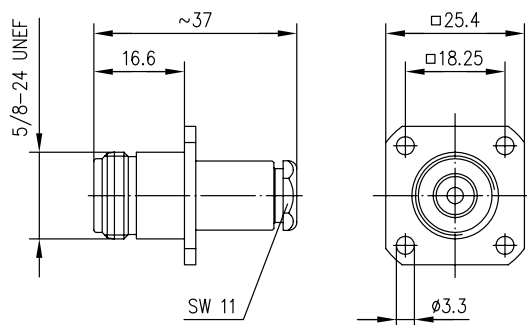
## 4.11

### N Panel Jack

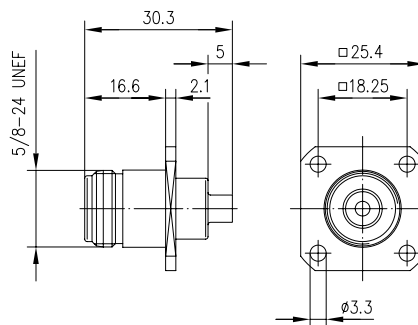
#### N-Kabeleinbaubuchse mit Flansch



Part No. Old Part No.	Cable group; cable Kabelgruppe; Kabel	Remarks Anmerkungen	Mount. dim. Einbaumaß	Assembly Montage	MIL-Std. MIL-Std.
100024103 J01021H1080	RG-213/U; RG-214/U; 9880 Belden	solder/clamp; pressure sleeve, IP67 löt/klemm, Druckverschraubung, IP67	Z008	B04	UG-22/U

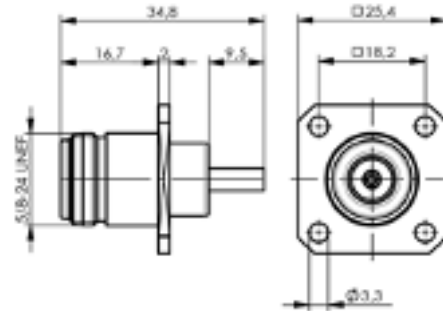


Part No. Old Part No.	Cable group; cable Kabelgruppe; Kabel	Remarks Anmerkungen	Mount. dim. Einbaumaß	Assembly Montage	MIL-Std. MIL-Std.
100024090 J01021H0085	G11 (UT-85)	solder/MIL-clamp; pressure sleeve IP67 löt/MIL-klemm; Druckverschraubung IP67	Z008	B15	
100024086 J01021H0066	G3 (RG-178B/U)	solder/clamp; pressure sleeve IP67 löt/klemm; Druckverschraubung IP67	Z008	B05	
100024082 J01021H0022	G7 (RG-316/U); LMR-100A	solder/clamp; pressure sleeve IP67 löt/klemm; Druckverschraubung IP67	Z008	B05	
100024083 J01021H0023	G8 (RD-316)	solder/clamp; pressure sleeve IP67 löt/klemm; Druckverschraubung IP67	Z008	B05	
100024105 J01021H1119	G1 (RG-58C/U); G5 (RG-223/U); RG-141 A/U; 1.0/2.95 AF	solder/MIL-clamp; pressure sleeve IP67 löt/MIL-klemm; Druckverschraubung IP67	Z008	B06	UG-1095/U
100024053 J01021B0050	G30 (1.5/3.8); LMR-240	solder/MIL-clamp; pressure sleeve IP67 löt/MIL-klemm; Druckverschraubung IP67	Z008	B06	

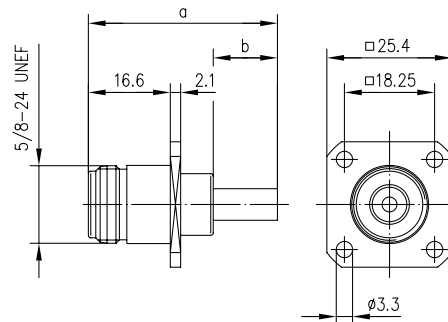


Part No. Old Part No.	Cable group; cable Kabelgruppe; Kabel	Return Loss Rückflusdämpfung	Mount. dim. Einbaumaß	Assembly Montage
100024017 J01021A0164	G10 (UT-141)	typ.: 3 GHz: -30 dB; 6 GHz: -25 dB; 10 GHz: -22 dB	Z008	B64
100024033 J01021A0202	G9 (UT-250)	typ.: 1 GHz: -40 dB; 4 GHz: -32 dB; 11 GHz: -22 dB	Z008	B97

## 4.12

**N Panel Jack Crimp**  
**N-Kabeleinbaubuchse mit Flansch Crimp**

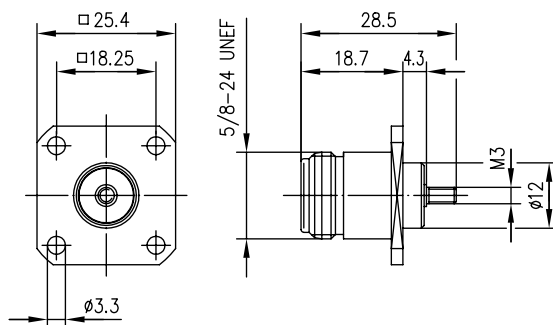
Part No. Old Part No.	Cable group; cable Kabelgruppe; Kabel	Remarks Anmerkungen	Mount. dim. Einbaumaß	Assembly Montage	Crimp die Crimpeinsatz
100024047 J01021A0217	G7 (RG-316/U)	crimp/crimp	Z008	B3116	N01003A0009
100024048 J01021A0218	G8 (RD-316)	crimp/crimp	Z008	B3120	N01003A0014



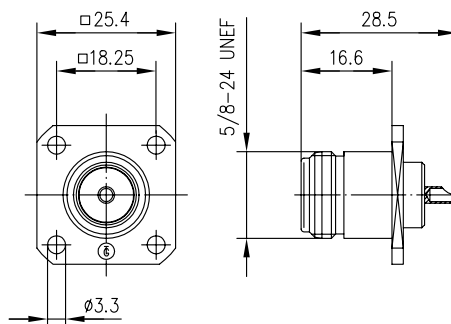
Part No. Old Part No.	Cable group; cable Kabelgruppe; Kabel	Remarks Anmerkungen	Dimensions Abmessungen	Mount. dim. Einbaumaß	Assembly Montage	Crimp die Crimpeinsatz
100024012 J01021A0152	G1 (RG-58C/U)	crimp/crimp	a=38.5, b=13	Z008	B2905	N01003A0005
100024013 J01021A0153	G5 (RG-223/U)	crimp/crimp	a=39, b=13,5	Z008	B2905	N01003A0005
100024009 J01021A0149	RG-213/U	crimp/crimp	a=40.5, b=14.5	Z008	B2912	N01003D1274
100024010 J01021A0150	RG-214/U	crimp/crimp	a=38.5, b=13	Z008	B2912	N01003D1274

**N Panel Jack Solder pin**  
**N-Einbaubuchse mit Flansch Lötanschluss**

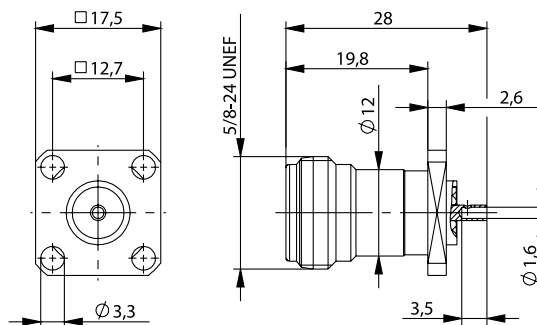
4.13



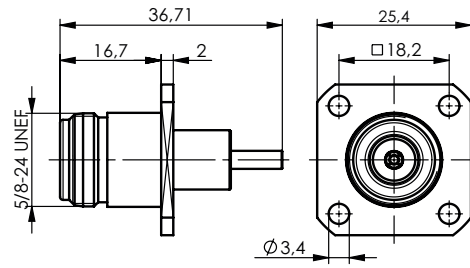
Part No.	Mount. dim.
Old Part No.	Einbaumaß
100024052	Z008
J01021B0008	



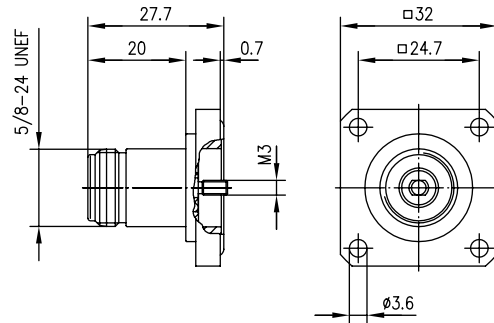
Part No.	Mount. dim.	MIL-Std.
Old Part No.	Einbaumaß	MIL-Std.
100024104	Z008	UG 58/U
J01021H1082		



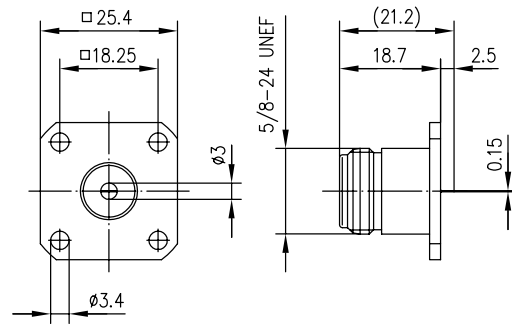
Part No.	Mount. dim.
Old Part No.	Einbaumaß
100024066	Z043
J01021C0007	



► Part No.	<b>Mount. dim.</b>
► Old Part No.	<b>Einbaumaß</b>
100024037	Z008
J01021A0206	



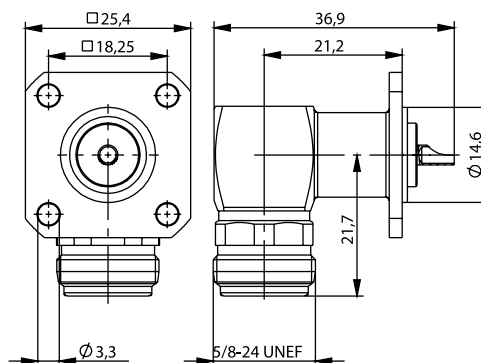
► Part No.	<b>Mount. dim.</b>
► Old Part No.	<b>Einbaumaß</b>
100024100	Z062
J01021H1059	



► Part No.	<b>Remarks</b>	<b>Mount. dim.</b>
► Old Part No.	<b>Anmerkungen</b>	<b>Einbaumaß</b>
100024003	strip line termination	Z008
J01021A0139	Streifenleiteranschluss	

**N Angle Panel Jack Solder pin**  
**N-Winkeleinbaubuchse mit Flansch Lötanschluss**

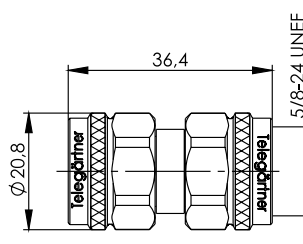
4.14



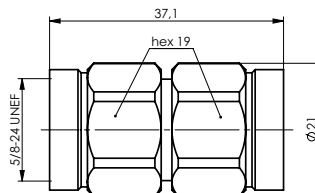
Part No.	Mount. dim.
Old Part No.	Einbaumaß
100024041	Z053
J01021A0210	

**N Adaptor/Port Saver**  
**N-Kupplung/Port Saver**

4.15

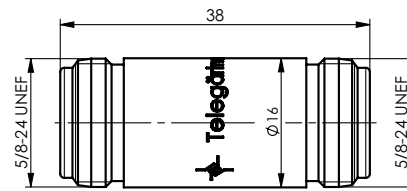


Part No.	Type	Max. Frequency	Return Loss	MIL-Std.
Old Part No.	Ausführung	Max. Frequenz	Rückflusdämpfung	MIL-Std.
100024149	m-m	11 GHz	typ.: 1 GHz: -43 dB; 4 GHz: -32 dB; 11 GHz: -24 dB	UG-57/U
J01024J1094				

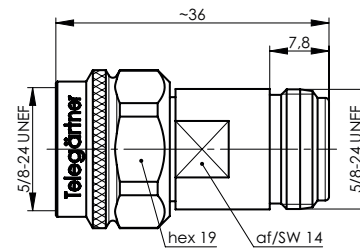


Part No.	Type	Max. Frequency	Return Loss	Remarks
Old Part No.	Ausführung	Max. Frequenz	Rückflusdämpfung	Anmerkungen
100024116	m-m	18 GHz	typ.: 2 GHz: -40 dB; 6 GHz: -36 dB; 11 GHz: -32 dB; 18 GHz: -26 dB	stainless steel, passivated Edelstahl passiviert
J01024A0013				

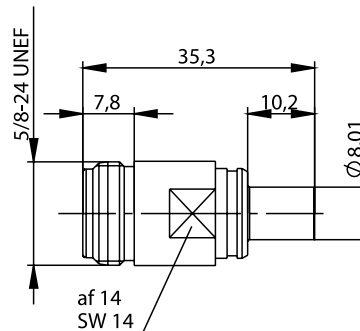




Part No. Old Part No.	Type Ausführung	Return Loss Rückflussdämpfung	Remarks Anmerkungen
100024109 J01024A0004	f-f	typ.: 1 GHz: -40 dB; 4 GHz: -35 dB; 10 GHz: -27 dB	IP68



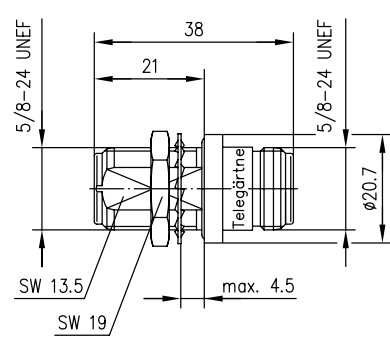
Part No. Old Part No.	Type Ausführung	Max. Frequency Max. Frequenz	Return Loss Rückflussdämpfung	Remarks Anmerkungen
100024112 J01024A0009	m-f	11 GHz	typ.: 2 GHz: -35 dB; 6 GHz: -28 dB; 11 GHz: -25 dB	Brass Telealloy, IP67 Messing Telealloy, IP67
100024113 J01024A0010	m-f, quick-screw-type m-f, Schnellanschluss-Typ	11 GHz	typ.: 2 GHz: -35 dB; 6 GHz: -28 dB; 11 GHz: -25 dB	Brass Telealloy Messing Telealloy



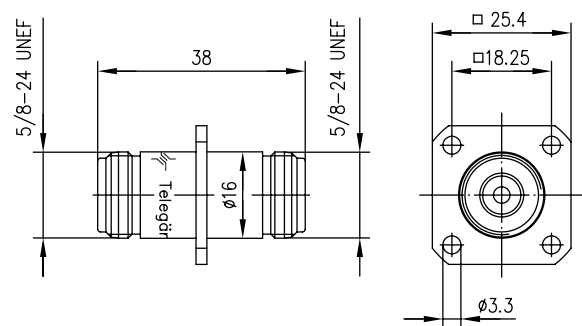
Part No. Old Part No.	Type Ausführung	Max. Frequency Max. Frequenz	Return Loss Rückflussdämpfung	Remarks Anmerkungen
100024114 J01024A0011	m-f, Push-On-Type	11 GHz	typ.: 2 GHz: -35 dB; 6 GHz: -28 dB; 11 GHz: -25 dB	Brass Telealloy Messing Telealloy

**N Panel Adaptor  
N-Einbaukupplung**

4.16



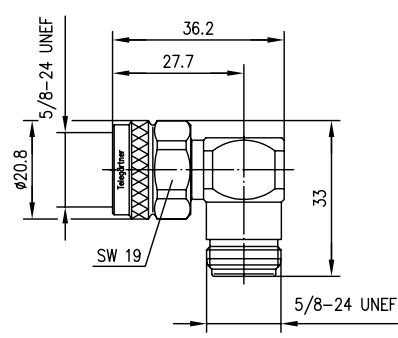
Part No. Old Part No.	Type Ausführung	Return Loss Rückflussdämpfung	MIL-Std. MIL-Std.	Mount. dim. Einbaumaß	Remarks Anmerkungen
100024111 J01024A0006	f-f	typ.: 1 GHz: -41 dB; 4 GHz: -35 dB; 10 GHz: -27 dB	UG-30/U	Z010	IP68



Part No. Old Part No.	Type Ausführung	Return Loss Rückflussdämpfung	MIL-Std. MIL-Std.	Mount. dim. Einbaumaß
100024110 J01024A0005	f-f	typ.: 1 GHz: -41 dB; 4 GHz: -35 dB; 11 GHz: -27 dB	UG-129/U	Z008

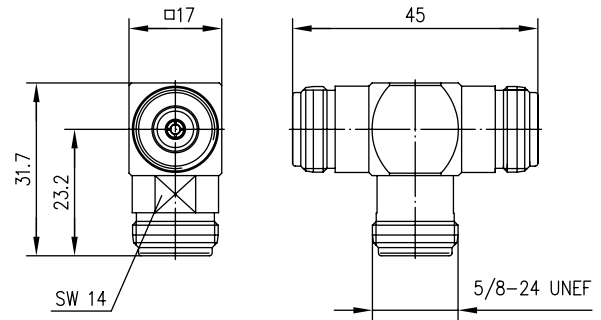
**N Angle Adaptor  
N-Winkelverbindungsstück**

4.17

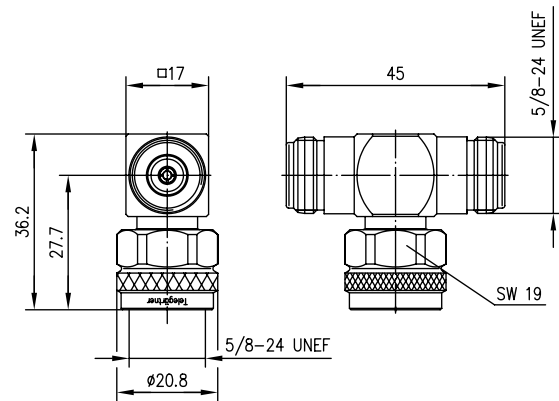


Part No. Old Part No.	Type Ausführung	Return Loss Rückflussdämpfung	MIL-Std. MIL-Std.	Remarks Anmerkungen
100024150 J01024J1096	m-f	typ.: 1 GHz: -31 dB; 4 GHz: -26 dB; 6 GHz: -24 dB	UG-27/U	IP67

4.18

**N T Adaptor**  
**N-T-Stück**

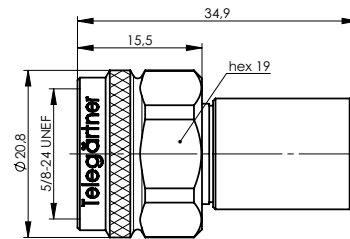
Part No.	Type	MIL-Std.	Remarks
Old Part No.	Ausführung	MIL-Std.	Anmerkungen
100024151	f-f-f	UG-28/U	IP67
J0102411098			



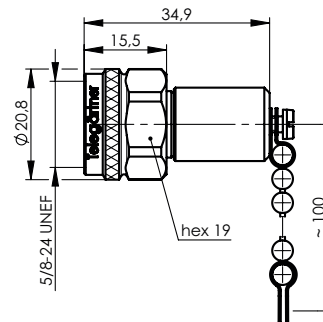
Part No.	Type	MIL-Std.	Remarks
Old Part No.	Ausführung	MIL-Std.	Anmerkungen
100024152	f-m-f	UG-107/U	IP67
J0102411120			

**N Termination Plug**  
**N-Abschlusswiderstand**

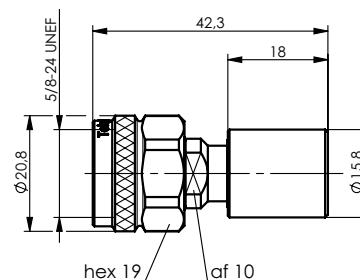
4.19



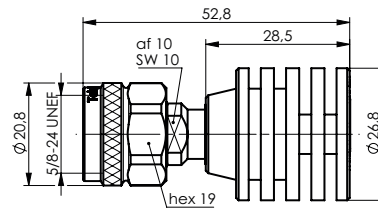
Part No.	Type	Max. Power	Max. Frequency	Return Loss
Old Part No.	Ausführung	Max. Leistung	Max. Frequenz	Rückflussdämpfung
100024165 J01026A0012	m	1 W	6 GHz	typ.: 1 GHz: -47 dB; 4 GHz: -26 dB; 6 GHz: -33 dB



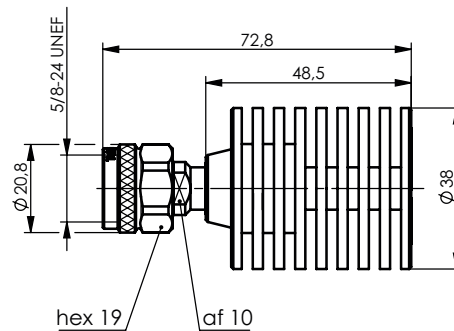
Part No.	Type	Max. Power	Max. Frequency	Return Loss
Old Part No.	Ausführung	Max. Leistung	Max. Frequenz	Rückflussdämpfung
100024181 J01026B0012	m	1 W	6 GHz	typ.: 1 GHz: -47 dB; 4 GHz: -36 dB; 6 GHz: -33 dB
100024180 J01026B0010	m	2 W	18 GHz	typ.: 1 GHz: -40 dB; 6 GHz: -30 dB; 9 GHz: -28 dB; 18 GHz: -20 dB



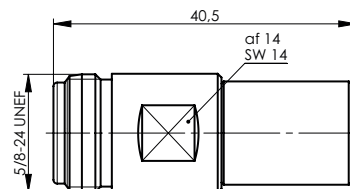
Part No.	Type	Max. Power	Max. Frequency	Return Loss	Remarks
Old Part No.	Ausführung	Max. Leistung	Max. Frequenz	Rückflussdämpfung	Anmerkungen
100024178 J01026A0027	m	2 W	6 GHz	typ.: 1 GHz: -35dB; 2 GHz: -29dB; 6 GHz: -20dB	IP67



Part No. Old Part No.	Type Ausführung	Max. Power Max. Leistung	Max. Frequency Max. Frequenz	Return Loss Rückflussdämpfung	Remarks Anmerkungen
100024179 J01026A0028	m	5 W	6 GHz	typ.: 1 GHz: -35 dB; 2 GHz: -29 dB; 6 GHz: -20 dB	IP67



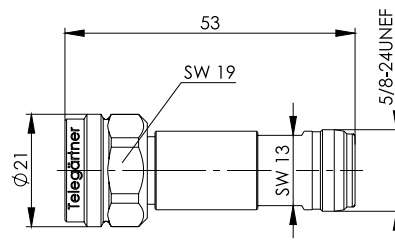
Part No. Old Part No.	Type Ausführung	Max. Power Max. Leistung	Max. Frequency Max. Frequenz	Return Loss Rückflussdämpfung	Remarks Anmerkungen
100024173 J01026A0022	m	10 W	6 GHz	typ.: 1 GHz: -35 dB; 2 GHz: -29 dB; 6 GHz: -20 dB	IP67



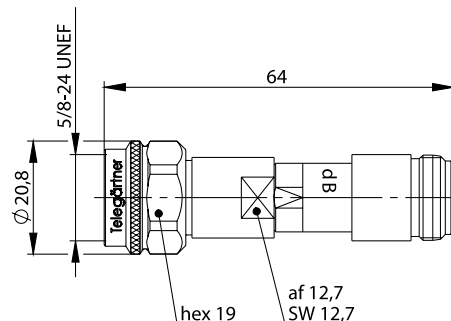
Part No. Old Part No.	Type Ausführung	Max. Power Max. Leistung	Max. Frequency Max. Frequenz	Return Loss Rückflussdämpfung	Remarks Anmerkungen
100024166 J01026A0013	f	1 W	6 GHz	typ.: 1 GHz: -42 dB; 4 GHz: -38 dB; 6 GHz: -36 dB	

**N Attenuators**  
**N-Dämpfungsglieder**

4.20



Part No. Old Part No.	Type Ausführung	Attenuation Dämpfung	Max. Power Max. Leistung	Max. Frequency Max. Frequenz	Return Loss Rückflussdämpfung	Remarks Anmerkungen
100024169 J01026A0018	m-f	3 dB	2 W	10 GHz	typ.: 4 GHz: -27 dB; 10 GHz: -15 dB	inner conductor gold plated Innenleiter vergoldet
100024170 J01026A0019	m-f	6 dB	2 W	10 GHz	typ.: 4 GHz: -27 dB; 10 GHz: -15 dB	inner conductor gold plated Innenleiter vergoldet
100024171 J01026A0020	m-f	10 dB	2 W	10 GHz	typ.: 4 GHz: -27 dB; 10 GHz: -15 dB	inner conductor gold plated Innenleiter vergoldet
100024172 J01026A0021	m-f	20 dB	2 W	10 GHz	typ.: 4 GHz: -27 dB; 10 GHz: -15 dB	inner conductor gold plated Innenleiter vergoldet



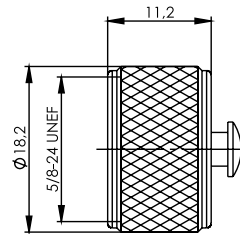
Part No. Old Part No.	Type Ausführung	Attenuation Dämpfung	Max. Power Max. Leistung	Max. Frequency Max. Frequenz	Return Loss Rückflussdämpfung	Remarks Anmerkungen
100024159 J01026A0006	m-f	3 dB	1 W	1 GHz	typ.: 1 GHz: -21 dB	inner conductor gold plated Innenleiter vergoldet
100024160 J01026A0007	m-f	10 dB	1 W	1 GHz	typ.: 1 GHz: -21 dB	inner conductor gold plated Innenleiter vergoldet
100024161 J01026A0008	m-f	14 dB	1 W	1 GHz	typ.: 1 GHz: -21 dB	inner conductor gold plated Innenleiter vergoldet
100024162 J01026A0009	m-f	20 dB	1 W	1 GHz	typ.: 1 GHz: -21 dB	inner conductor gold plated Innenleiter vergoldet

4.21

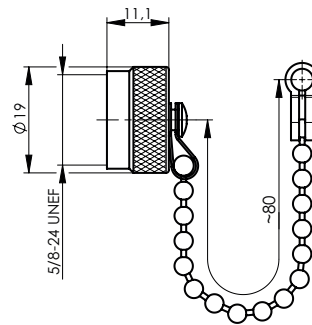
## N Dust Cap N-schutzkappe



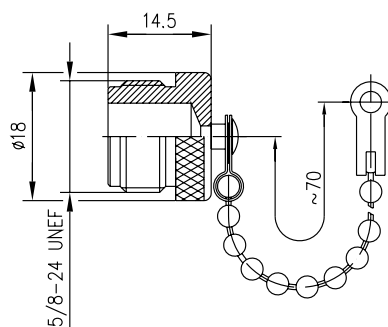
Part No. Old Part No.	Series Serie	Remarks Anmerkungen	Colour Farbe
100000586 B00012A0163	N	For Jack Für Buchse	black schwarz
100000563 B00012A0014	N	For Jack Für Buchse	red rot



Part No. Old Part No.	Remarks Anmerkungen
100021260 H00010A1121	without chain for N jack, IP67 ohne Kette für N Buchse, IP67



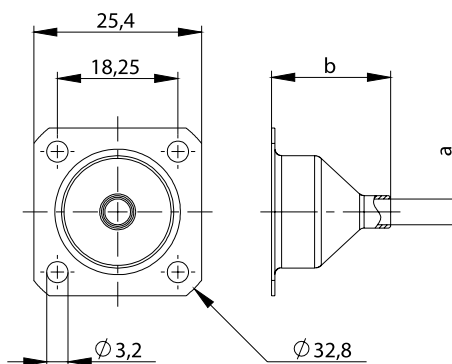
Part No. Old Part No.	Remarks Anmerkungen	MIL-Std. MIL-Std.
100021261 H00010A1122	with chain for N and UHF jack, IP67 mit Kette für N und UHF Buchse, IP67	MX-913/U



Part No.	Remarks
100021257	with chain, for N plug
H00010A0000	mit Kette, für N-Stecker

**N Hood**  
**N-Abschirmkappe**

4.22



Part No.	Dimensions	MIL-Std.
100020375	a=Ø3.9, b=18	UG-177/U
C05000B0654		
100020376	a=Ø8.7, b=18	UG-106/U
C05000B0655		

**N Torque Wrench**  
**N Drehmomentschlüssel**

4.23



Part No.	Series	Remarks
100025824	N	Torque value 5 Nm; AF 19
N00050A0017		With Calibration Certificate
		Drehmoment: 5 Nm; SW 19
		Mit Kalibrierzertifikat