

Specifications



Model	ANT150G6
Frequency Range	134-173 MHz
Gain	6.5 dBi
Bandwidth	8 MHz
Impedance	50 ohms
VSWR	< 1.5:1
Polarization	Vertical
Maximum input power	100 W
H-plane beamwidth	360° (Omni)
E-plane beamwidth	25° (half power)
Connector	N female or Customized
Height	3250 mm
Radome diameter	43 mm
Weight	2.8 kg (without bracket)
Rated Wind Velocity	200 km/h
Radome	Fiberglass
Mounting	On 40-50 mm dia. mast tube
Operating Temperature	-50 °C to +70 °C

Mounting Mounting hardware supplied

Applications

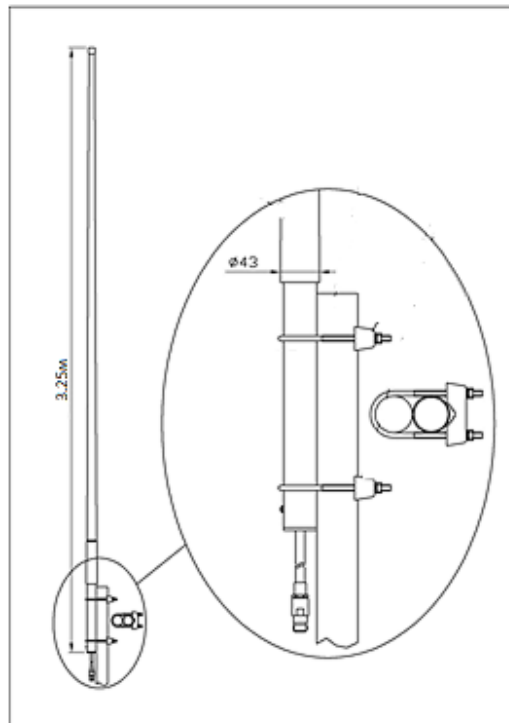
- 150 MHz Band
- Wireless access system
- Trunking communications
- Signal coverage
- Network optimized

Features

- Broadband Design
- Simple Structure, Good performance
- Good environmental adaptability
- Outdoor used

The exceptional mechanical capabilities of this antenna ensures long dependable service in all environments.

Mounting hardware supplied



Order Information:

ANT150G6 Antenna 134-173MHz, 6.5 dBi, 100W with N-female connector