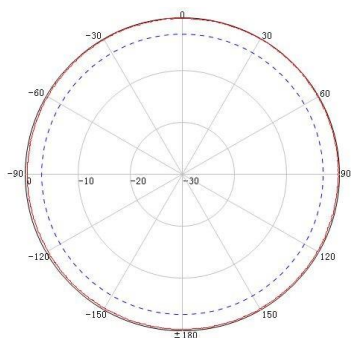


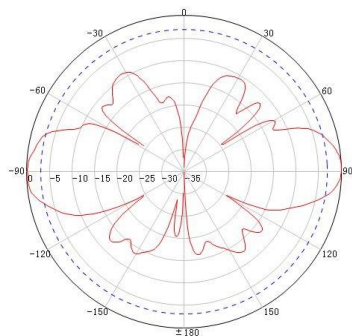


Specifications

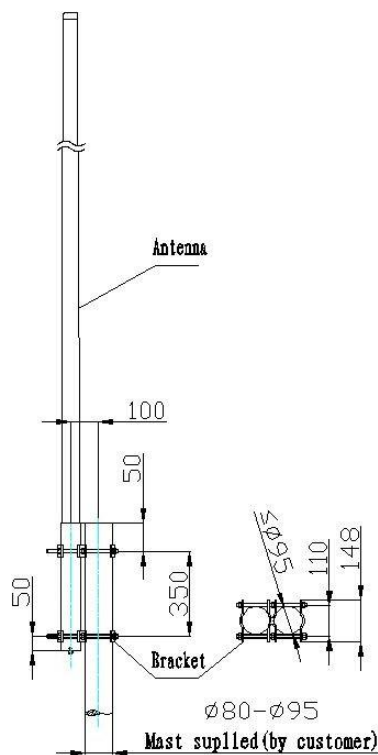
Model	ANT150G55
Frequency Range	146-160 /158-172 MHz
Gain	5±1 dBi
Bandwidth	14 MHz
Impedance	50 ohms
VSWR	< 1.5:1
Polarization	Vertical
Maximum input power	500 W
H-plane beamwidth	360° (Omni)
E-plane beamwidth	35° (half power)
Connector	N female
Height	3580±20 mm
Radome diameter (Color)	70 mm (Blue)
Weight	5.3±0.2 kg (without bracket)
Rated Wind Velocity	200 km/h
Radome	Fiberglass
Mounting	On 80-95 mm dia. mast tube
Operating Temperature	-50 °C to +70 °C
Mounting Kit (hardware supplied)	KJM-1DB



146-160 / 158-172 MHz H Plan



146-160 / 158-172 MHz E Plan



Order Information:

ANT150G55 Antenna 146-160 or 158-172 MHz, 5 dBi, 500W with N-female connector