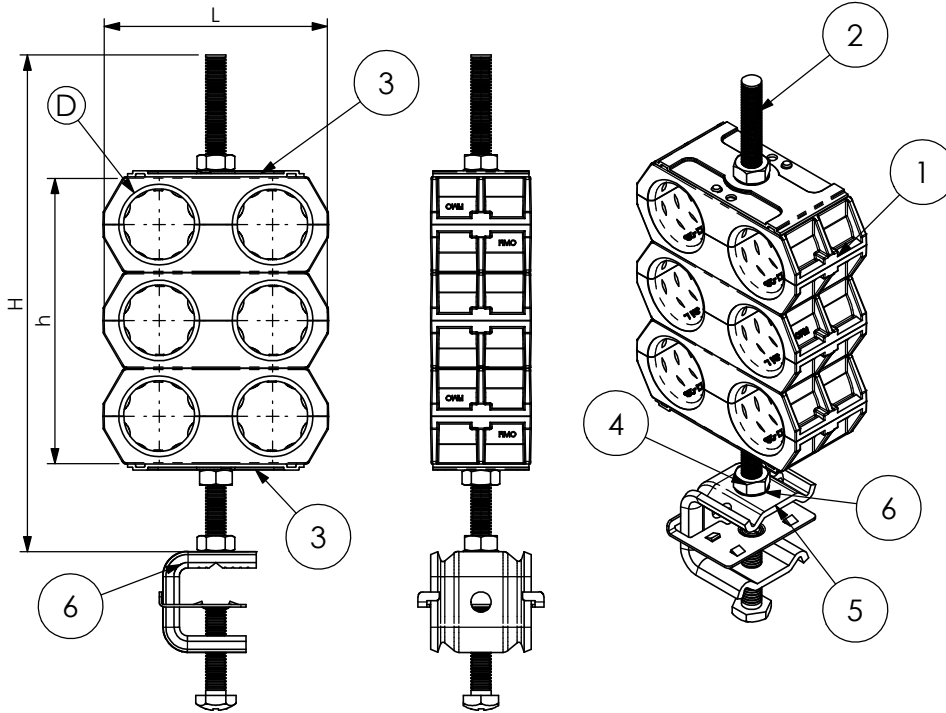


PRODUCT DATA SHEET



A) SPECIFICATIONS

- 1 Calibrated twin black saddles made in H.D.P.E
- 2 Stainless steel threaded bar BFI M8
- 3 Stainless steel pressure plate PRUC
- 4 Stainless steel hexagonal nut DAI 8
- 5 Stainless steel MCM 8 clamp
- 6 Stainless steel flat Washer REI 8

B) RESISTANCE TESTS

UV Test BS-ISO 105-B06
 Vibration test conforming to UNI 60068-2-6
 Operating temperature: -30°C +120°C

C) PACKAGING INFORMATION

Packing in boxes.
 Label indicating:
 product code, article, quantity,
 production batch,
 FIMO logo and figure.
 (Customer code on request).

D) MOUNTING INSTRUCTIONS

On request

CODE	ARTICLE	ø D	L	h	H	BOX	WEIGHT
61 1560 0609	UCC/ 6x9	8 - 9	56	125	63	20	265
61 1560 0611	UCC/ 6x11	10 - 11	56	125	63	20	265
61 1560 0613	UCC/ 6x13	12 - 13	68	150	81	20	310
61 1560 0614	UCC/ 6x1/2" S (14)	13 - 14	68	150	81	20	310
61 1560 0638	UCC/ 6x3/8" (16)	15 - 16	68	150	81	20	310
61 1560 0612	UCC/ 6x1/2" (17)	16 - 17	68	150	81	20	310
61 1560 0658	UCC/ 6x5/8" (23)	21 - 23	90	200	114	20	415
61 1560 0678	UCC/ 6x7/8" (28)	27 - 28	90	200	114	20	415
61 1560 6114	UCC/ 6x1.1/4" (40)	39 - 40	114	250	150	20	490
61 1560 6148	UCC/ 6x1.5/8" S (49)	48 - 49	137	300	198	20	586
61 1560 6158	UCC/ 6x1.5/8" (52)	50 - 52	137	300	198	20	580

RI	DATE	DR	DATE	AP	Description:
02					Cable Clamp type UCC +MCM 8 Clamp
01					
00	03/11/2015	G.S.	03/11/2015	A.V.	
1 ST EMISSION					
					Use: Fastening of 6 cables on flats, rounds and angulars