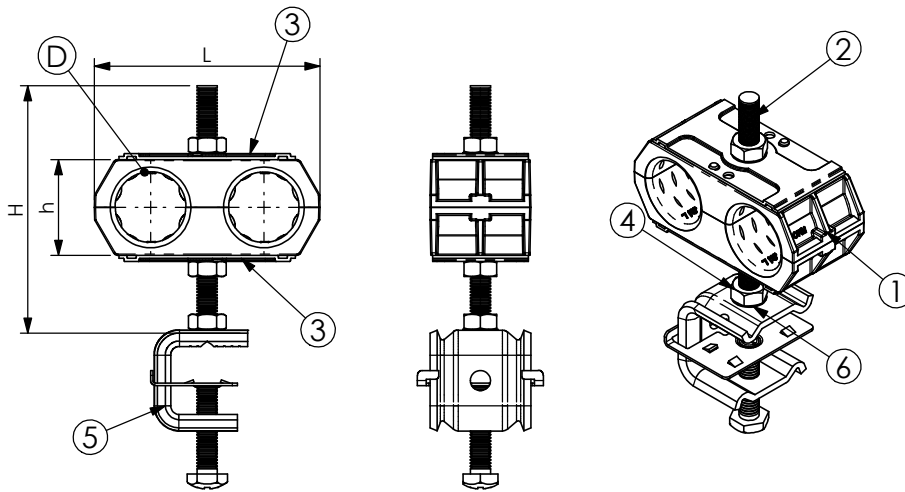


PRODUCT DATA SHEET



A) SPECIFICATIONS

- 1 Calibrated twin black saddles made in H.D.P.E
- 2 Stainless steel threaded bar BFI M8
- 3 Stainless steel pressure plate PRUC
- 4 Stainless steel hexagonal nut DAI 8
- 5 Stainless steel MCM 8 clamp
- 6 Stainless steel flat Washer REI 8

B) RESISTANCE TESTS

UV Test BS-ISO 105-B06
 Vibration test conforming to UNI 60068-2-6
 Operating temperature: -30°C +120°C



C) PACKAGING INFORMATION

Packing in boxes.
 Label indicating:
 product code, article, quantity,
 production batch,
 FIMO logo and figure.
 (Customer code on request).

D) MOUNTING INSTRUCTIONS

On request

CODE	ARTICLE	ø D	L	h	H	BOX	WEIGHT
61 1560 0209	UCC/ 2x9	8 - 9	56	75	21	20	205
61 1560 0211	UCC/ 2x11	10 - 11	56	75	21	20	205
61 1560 0213	UCC/ 2x13	12 - 13	68	75	27	20	210
61 1560 0214	UCC/ 2x1.2" S (14)	13 - 14	68	75	27	20	210
61 1560 0238	UCC/ 2x3/8" (16)	15 - 16	68	75	27	20	210
61 1560 0212	UCC/ 2x1.2" (17)	16 - 17	68	75	27	20	210
61 1560 0258	UCC/ 2x5/8" (23)	21 - 23	90	100	38	20	265
61 1560 0278	UCC/ 2x7/8" (28)	27 - 28	90	100	38	20	265
61 1560 2118	UCC/ 2x1.1/8" (38)	36 - 38	114	150	54	20	265
61 1560 2114	UCC/ 2x1.1/4" (40)	39 - 40	114	150	54	20	310
61 1560 2148	UCC/ 2x1.5/8" S (49)	48 - 49	137	150	66	20	312
61 1560 2158	UCC/ 2x1.5/8" (52)	50 - 52	137	150	66	20	310

RI	DATE	DR	DATE	AP	Description:	
02					Cable Clamp type UCC +MCM 8 Clamp	
01						
00	03/11/2015	G.S.	03/11/2015	A.V.		
1 ST EMISSION						
						Use: Fastening of 2 cables on flats, rounds and angulars